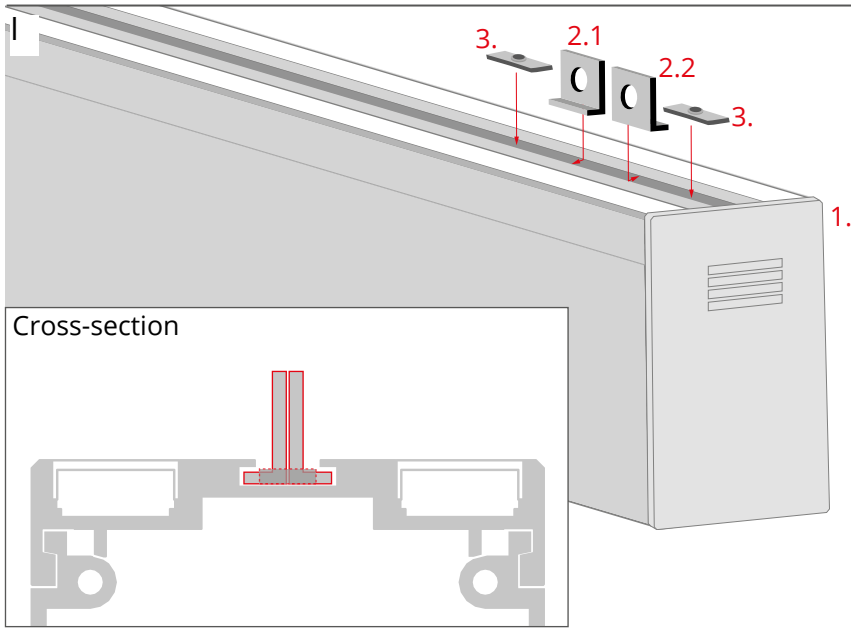


- 1. Lighting fixture
- 2.1 UCHO-ZD Fastener (item 2.1)] — (ref. 42513)
- 2.2 UCHO-ZD Fastener (item 2.2)]
- 3. Block*
- 4. Wire crimp*
- 5. Steel cable*
- 6. Ceiling fastener*

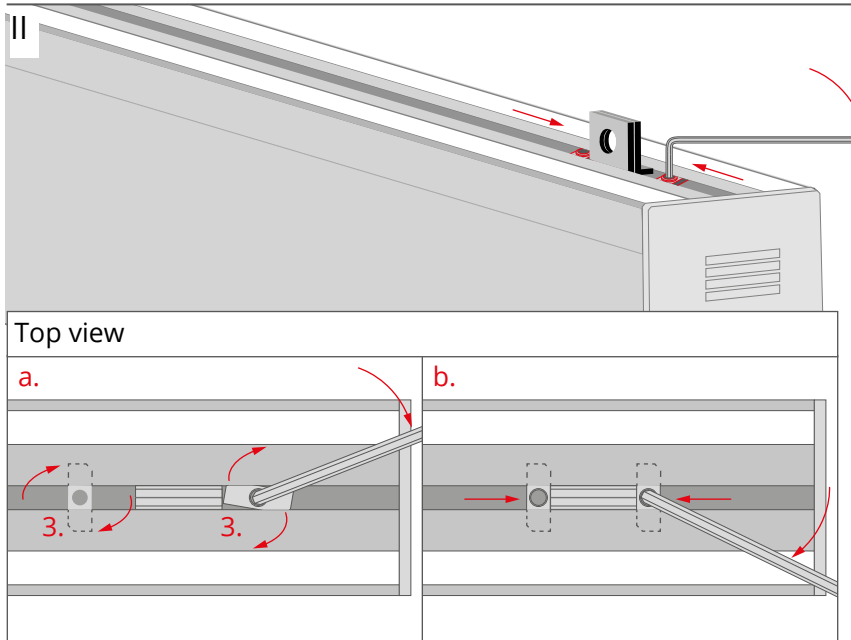
*The full range of accessories and electronics is available at www.KlusDesign.eu

NOTE! All LED tapes must be connected to a 12 V or 24 V power supply.

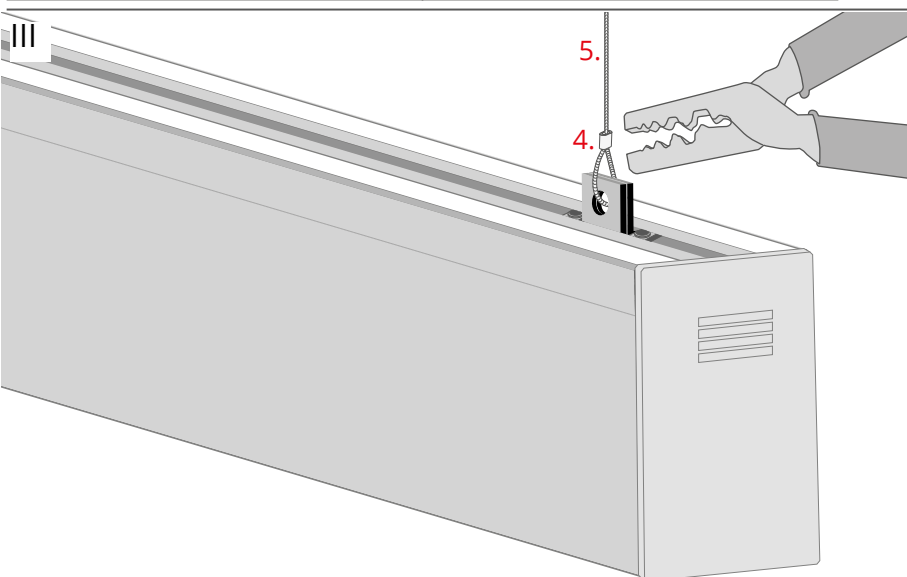
IMPORTANT: Not all possible mounting procedures are presented here. More mounting procedures and related accessories can be found at www.KlusDesign.eu. Drawings of extrusions and accessories in these instructions are simplified and only approximate the actual shapes.



Insert the block (3), both UCHO-ZD fastener items (2.1, 2.2) followed by the second block (3) into the groove on the back of the fixture (1).



- a. Rotate the blocks (3) with an allen wrench.
- b. Slide the blocks and tighten them, so the fastener is locked in desired place.



Run the cable (5) through the wire crimp (4) then through the hole in the fastener and again into the wire crimp. Use e.g. pliers to squeeze the wire crimp and close the created loop.

IV

Suspend the lighting fixture (1) from the ceiling fasteners (6).

